

# Magic MVtec Christmas Box

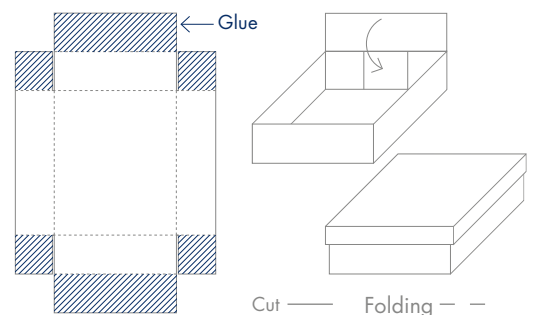
## Lid



### Instructions

You will need: Double-sided tape or glue, scissors and a ruler (optional)

1. First, make the bottom part of the box (page 2).  
The square in the middle corresponds to the bottom of the box.
2. Now, it's time to cut out the outline.  
The dashed lines are crease edges and must now be set up.
3. Glue the box together. To do this, apply the glue to the marked squares and rectangles. The squares are then folded to right angles and pressed firmly against the surfaces that form the front and back walls of the box. Adhesive is then applied to the remaining surfaces of the front and back walls and folded down.
4. The bottom part of the box is finished. The lid is made in the same way (page 1).



# Magic MVTec Christmas Box

Box



## Magic MVTec Christmas Box

Close your eyes, make a wish,  
put this box on your Tisch\*,  
when you post it on social media too,  
your wish may come true.

\*German word for desk

 [#christmaswithmvtec](#)

In case there are any MVTechnical or  
-magical issues, feel free to drop your  
wishes at [marketing@mvtec.com](mailto:marketing@mvtec.com).

**MVTEC**  
MVTec Software GmbH